

Part Identification Number: FRT0-734-XXS

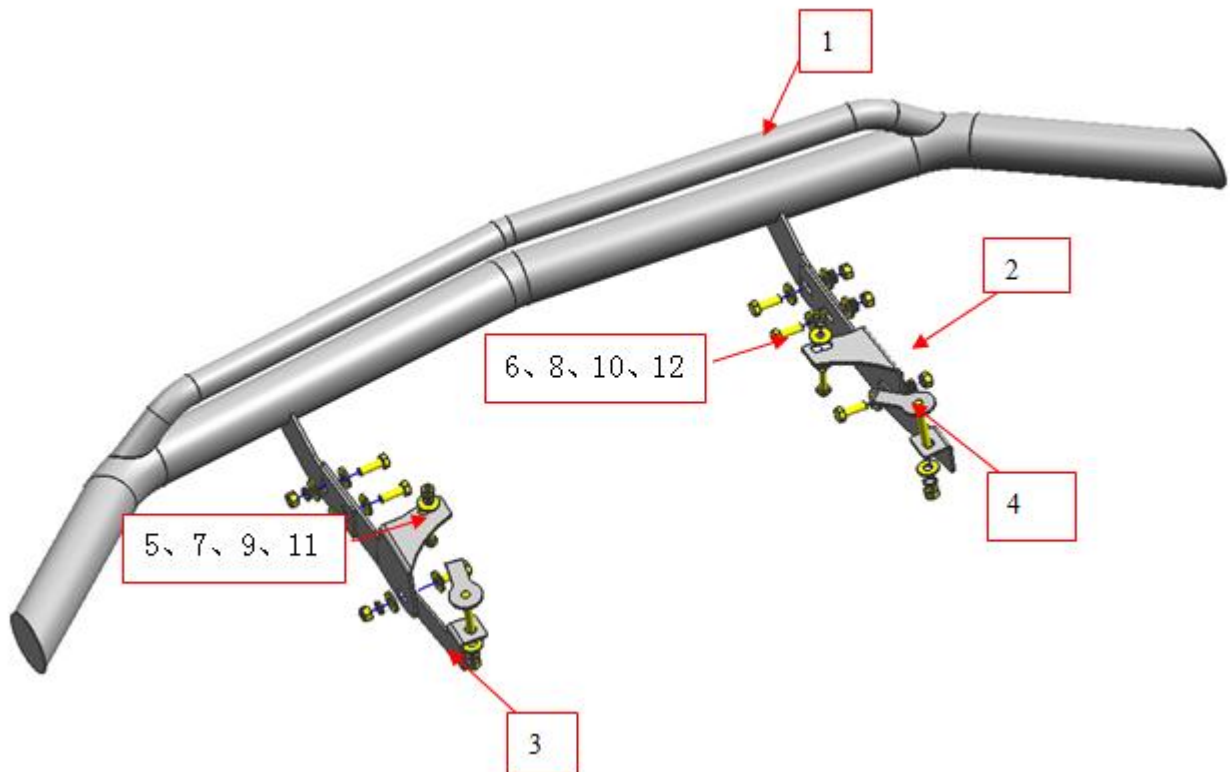
Hardware Included:

NO.	NAME	QTY	REMARK	NO.	NAME	QTY	REMARK
1	FRONT X BAR	1		7	Large washer	4	φ10x30x2.5
2	Bracket 1(left/right)	2		8	Large washer	14	φ12x30x3.0
3	Bracket 2(left/right)	2		9	Spring washer	2	φ10
4	Different bolts	2		10	Spring washer	8	φ12
5	HEXAGON BOLTS	4	M10X1.25X40	11	Hexagon nut	2	M10
6	HEXAGON BOLTS	6	M12X35	12	Hexagon nut	8	M12

Attention:

- Please read this installation menu before installing this part. Protect your car properly in case there is any scratch might have.
- You may need to periodically to re-tighten all hardware for safety use after installation.
- Installation pictures are only for your reference, there might be some differences between pictures and real parts but no affect for your fitting.

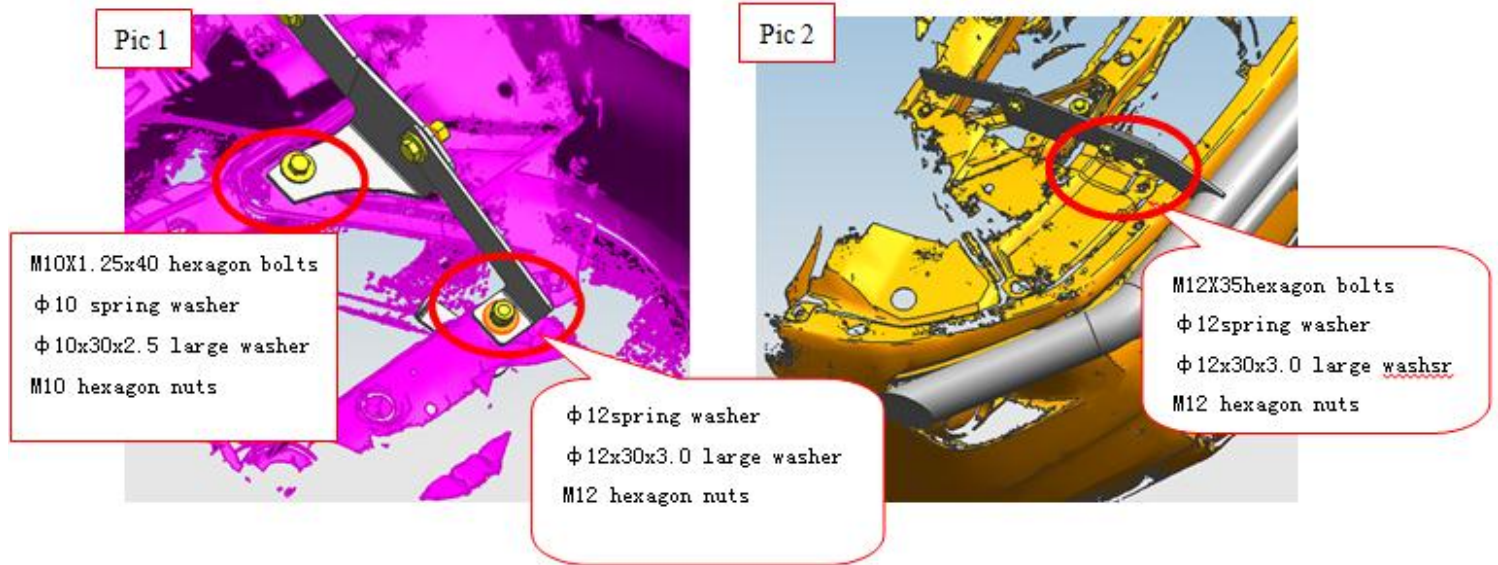
INSTALLATION PICTURES



INSTALLATION PROCEDURES

Step 1: Refer to the Part list to check if all the hardware are included.

Step 2: Refer to the car bottom hole and install the mounting brackets respectively. As shown in Pic 1 AND pic 2.

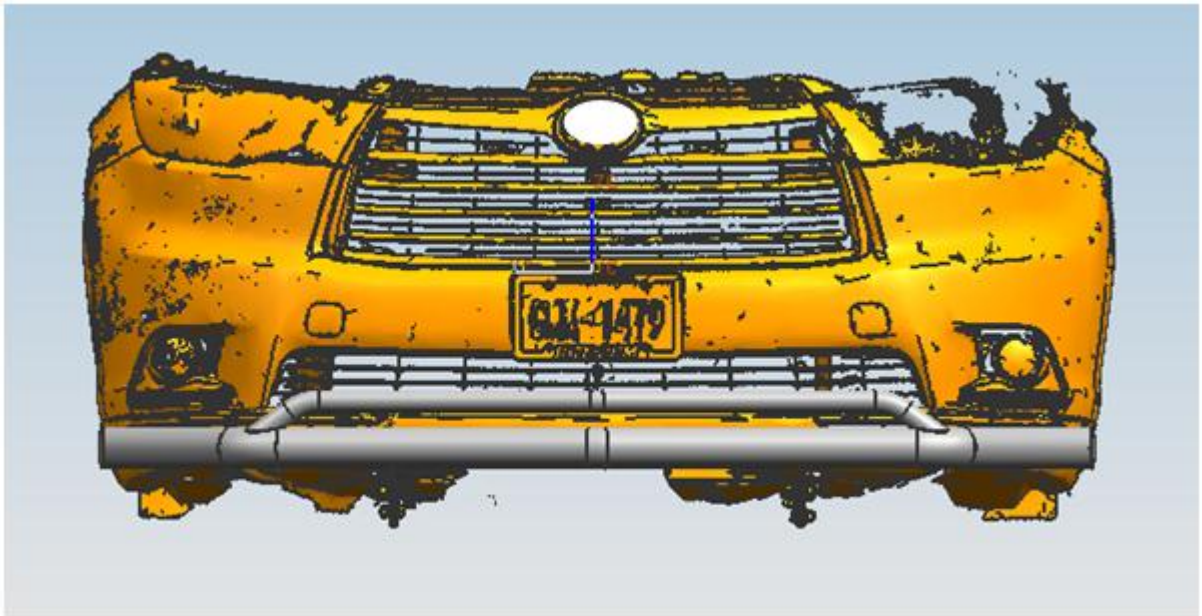


Step3: install the grille guard on the brackets, and then adjust the brackets.

Step4: Check if all hard ware are installed and fastened.

Step 5: Complete the installation.

Pic 3



Disclaimer: Caused due to improper installation initiates some related problem and losses, are beyond our company's quality assurance.