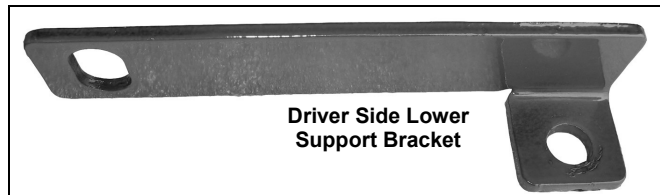


# INSTALLATION INSTRUCTIONS

## BULL BAR 08 TOYOTA HIGHLANDER PART NUMBER

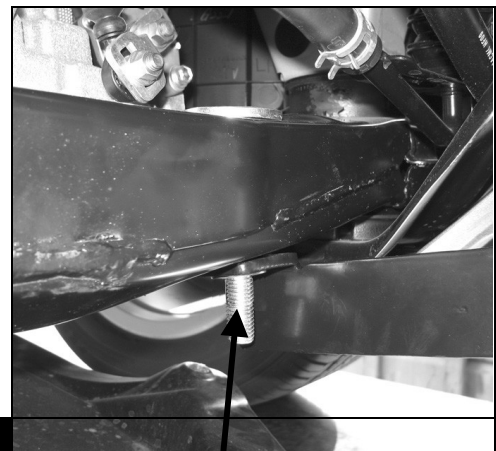
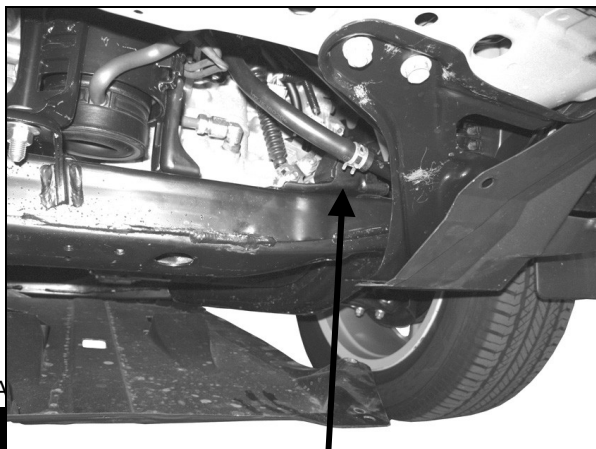
### PARTS LIST:

1	Bull Bar	2	12mm Lock Washers
1	Driver/Left Mounting Bracket	1	12-1.75mm x 90mm Bolt Plate
1	Passenger/Right Mounting Bracket	1	12-1.75mm x 90mm Hex Head Bolt
1	Driver/Left Lower Support Bracket	4	12mm Nylock Nuts
1	Passenger/Right Lower Support Bracket	8	12mm ID x 29mm OD x 3mm Flat Washers
2	12-1.75mm x 35mm Hex Head Bolts	1	12mm ID x 44mm OD x 3mm Fender Washers
2	12-1.75mm x 30mm Hex Head Bolts	2	10-1.25mm x 35mm Hex Head Bolts
		2	10mm ID x 26mm OD x 3mm Flat Washers



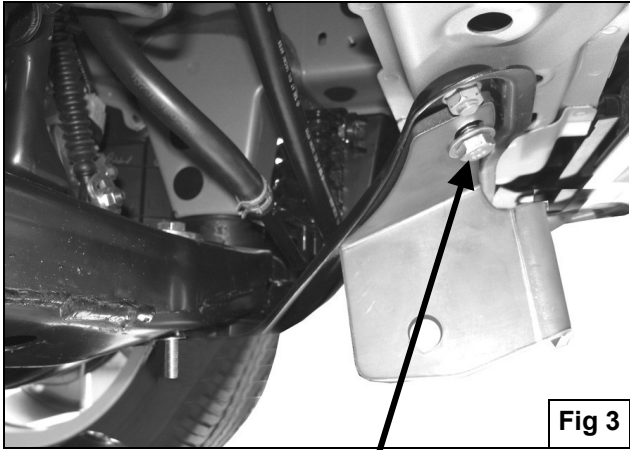
## PROCEDURE:

1. REMOVE CONTENTS FROM BOX. VERIFY ALL PARTS ARE PRESENT. READ INSTRUCTIONS CAREFULLY BEFORE STARTING INSTALLATION. CUTTING REQUIRED
2. From underside of vehicle, remove the front plastic rocker guard. Place rocker guard on a clean working area.
3. On the top of the driver side cross member bar there is a factory suspension dampener obstructing the mounting location for the driver side Support Bracket. Use a 10mm socket to remove the two factory bolts holding the suspension dampener from the top of cross member (**Figure 1**). Once you have removed the suspension dampener, insert from the top of the cross member (1) 12mm x 90mm Bolt Plate (**Figure 3**). Re-install the suspension dampener over Bolt Plate using the factory hardware.
4. On the driver side of the vehicle, locate the two factory bolts on the cross member brace towards the bumper and remove the one towards the outside of the vehicle. Position the driver side Mounting Bracket up to the cross member brace. Partially hang Mounting Bracket to previously removed factory bolt location using the included (1) 10-1.25mm x 35mm Hex Head Bolt and (1) 10mm Flat washer (**Figure 3**). Do not tighten at this time.
5. Repeat steps 3 & 4 for passenger side. **NOTE:** On the passenger side cross member bar you will be using (1) 12mm x 90mm Hex Head Bolt, (1) 12mm Fender Washer (on top), (1) 12mm Flat Washer (on bottom), and (1) 12mm Nylock Nut instead of a Bolt Plate since there is no suspension dampener.
6. Once you have partially mounted driver and passenger side Brackets. Position factory plastic rocker guard back to its mounting location and trace the outside on the Mounting Bracket and the mounting location of the Bolt Plates. Use a sharp knife to cut out the trace area for the Mounting Brackets and use a drill with a 1/2" drill bit to drill out the mounting location for the Bolt Plate on the driver side and mounting location for the Hex Bolt on the passenger side (**Figure 2**).
7. Re-install the rock guard back to the bottom of the vehicle over Mounting Brackets.
8. From the bottom of the cross member bar, place Lower Support Bracket over previously inserted Bolt Plate and secure it using the included (1) 12mm Nylock Nut and (1) 12mm x 29mm x 3mm Flat Washer (**Figure 3**). Do not tighten at this time.
9. Attach opposite end of Lower Support Bracket to Mounting Bracket using the included (1) 12mm x 30mm Hex Head Bolt, (1) 12mm Nylock Nut, and (2) 12mm Flat Washers (**Figure 3**). Do not tighten at this time.
10. Repeat steps 8 & 9 for passenger side.
11. With help position Bull Bar onto Mounting Brackets. Attach Bull Bar to Mounting Brackets using the included (2) 12mm x 35mm Hex Head Bolts, (2) 12mm Lock Washers, and (2) 12mm Flat Washers (**Figure 6**).
12. Level and adjust Bull Bar properly; and then tighten all hardware at this time
13. Do periodic inspections to the installation to make sure that all hardware is secure and tight.



**Fig 1**

Temporarily remove  
this factory bracket

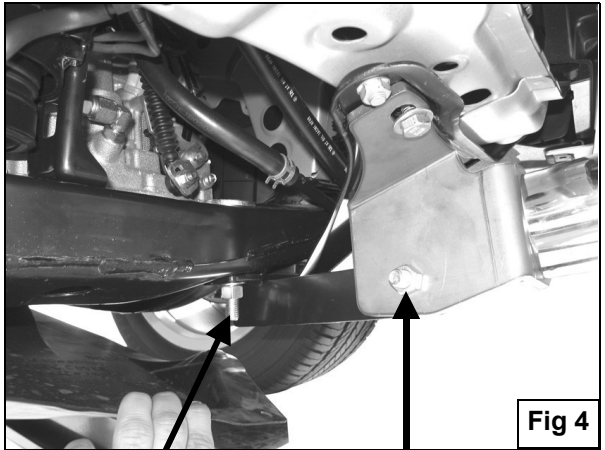


**Fig 3**

Replace outer factory bolt with  
10-1.25 x 35mm Hex Bolt  
10mm Flat Washer

**Fig 2**

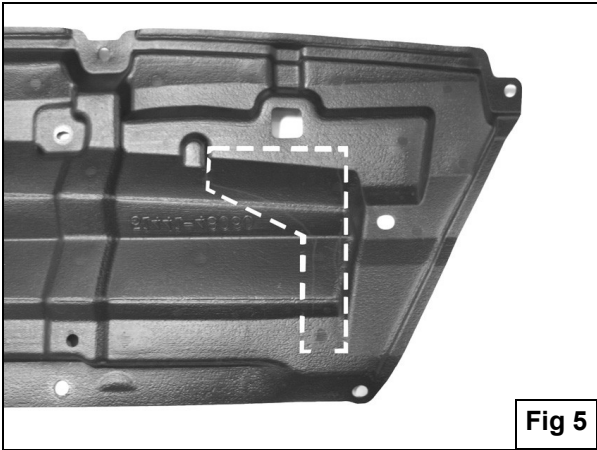
12mm x 90mm Bolt Plate



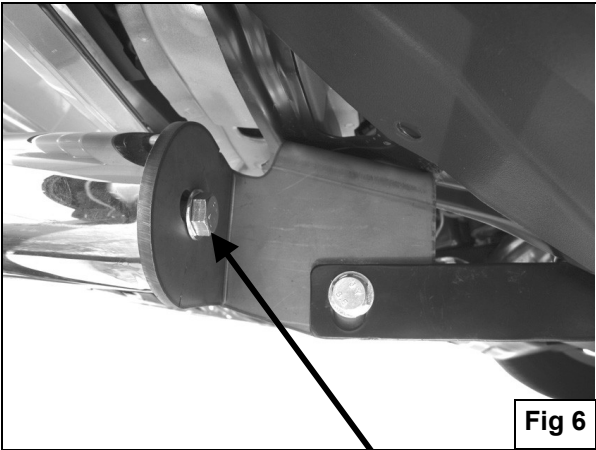
**Fig 4**

(12mm x 90mm Bolt Plate)  
12mm Nylock Nut  
12mm Flat Washer  
*NOTE: On the passenger side  
use (1) 12mm x 90mm Hex Bolt  
with (1) 12mm Fender Washer  
on the top of cross member*

12mm x 30mm Hex Bolt  
12mm Flat Washers  
12mm Nylock Nut



**Fig 5**



**Fig 6**

12mm x 35mm Hex Bolt  
12mm Flat Washer  
12mm Lock Washer



**Fig 7**